

※ This document is a temporary specification which does not include whole information about the product.  
 ※ This document is subject to be changed for approving product quality without notice.

SPECIFICATIONS	ITEM	LINE FILTER	Rev
	TNC SPEC NO	CH0820450US52CG	0

## 1. ELECTRICAL CHARACTERISTIC

NO	ITEM	TERMINAL	SPECIFICATION			REMARKS
1	RATED VOLTAGE	LINE TO LINE	DC 50V			
2	RATED CURRENT	START-FINISH	2.0A			
3	INDUCTANCE	START-FINISH	160KHz	450uH	+ 50%, -30%	HP-4194A 1V (25°C±2°C)
4	TEMPERATURE RISE	AT RATED CURRENT	55.0°C MAX			
5	DC RESISTANCE	START-FINISH	67.0 mΩ MAX			HIOKI 3540 (25°C±2°C)
6	WITHSTANDING VOLTAGE	LINE TO LINE	AC 500V 1 MINUNE.			TOS-5101 CUN OFF CURRENT (5mA)

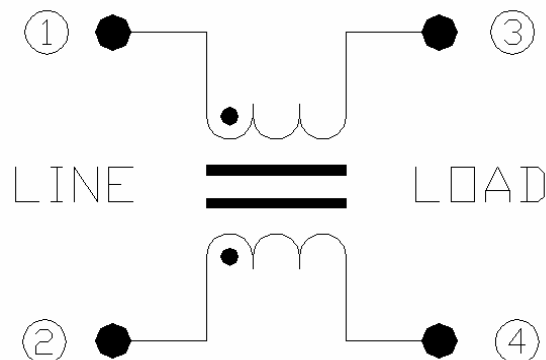
## 2. OPERATING TEMPERATURE RANGE

-25°C TO +105°C INCLUDING TEMPERATURE RISE.

## 3. KEEP TEMPERATURE RANGE

-10°C ~ +60°C.

## 4. CIRCUIT DIAGRAM



#125 , WOLMUN-RI, PALTAN-MYEON,  
 HWASEONG-SI, KYUNGGI-DO, KOREA 445-914  
 TEL : 82+(0)313543160  
 FAX : 82+(0)313543156

**TNC**  
**TNC Co.,LTD**

PAGE

1/2

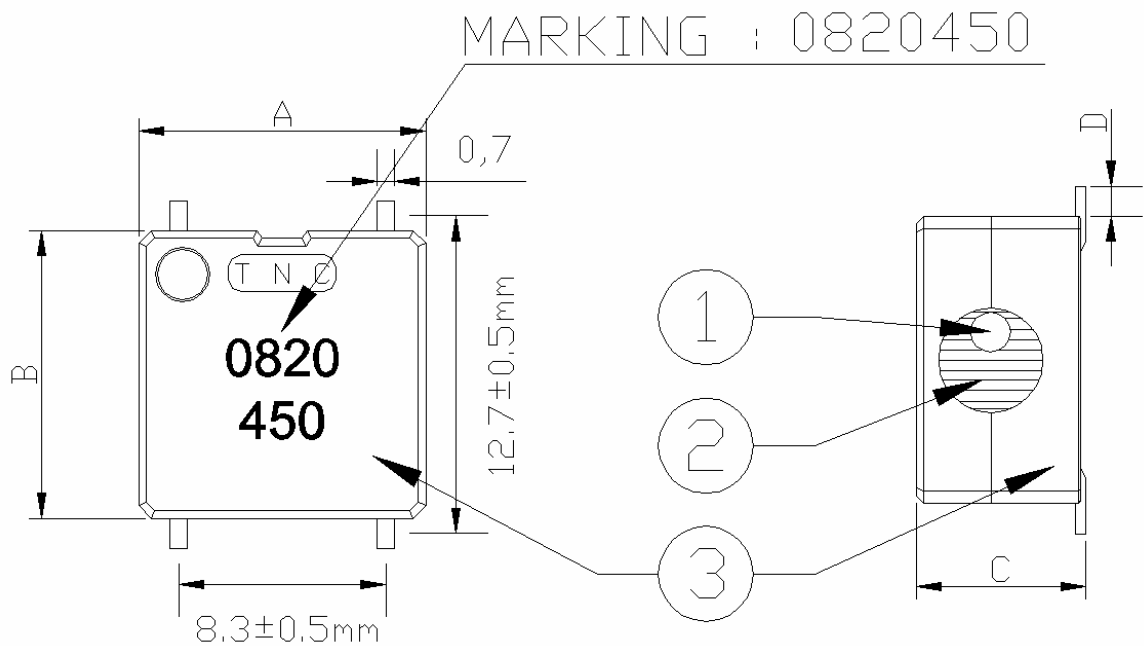
※ This document is a temporary specification which does not include whole information about the product.  
 ※ This document is subject to be changed for approving product quality without notice.

SPECIFICATIONS	ITEM	LINE FILTER	Rev
	TNC SPEC NO	CH0820450US52CG	0

### 5. WINDING SPECIFICATION

NO	TERMINAL		WIRE	TURNS	WINDING METHOD	UNBALANCE SPECIFICATION
	START	FINISH				
L1	1	3	UEW 0.3Φ	15 ±1Ts	HANDMADE	BETWEEN L1 AND L2 (62uH MAX)
L2	2	4				

### 6. SHAPE AND DIMENSION



DIMENSION	A	B	C	D
	12.5mm MAX	12.5mm MAX	7.5mm MAX	1.2 ± 0.5mm

#125 , WOLMUN-RI, PALTAN-MYEON,  
 HWASEONG-SI, KYUNGGI-DO, KOREA 445-914  
 TEL : 82+(0)313543160  
 FAX : 82+(0)313543156

**TNC**  
**TNC Co.,LTD**

PAGE  
 2/2